



Thru-the-Wall Comfort

Packaged Heating & Cooling

Comfort Pack Universal
with up to 95% Gas Heat
Submittal Data

For Approval

Project:

Purchaser:

Date:

Up to 95% AFUE | Up to 12.5 SEER2



National Comfort Products
A Division of National Refrigeration and Air Conditioning Products, Inc.
539 Dunksferry Road · Bensalem, PA 19020-5908
(800) 523-7138
www.nationalcomfortproducts.com

Go Thru-the-Wall



Project:

Gas Heat Models

Plan Designation	Quantity	Model	Description	Page
		CP950925UA	Comfort Pack Universal R454B 0.75 ton cooling, 25MBH gas input, 208-230/1/60, 95% AFUE/11.7 SEER2	6
		CP951225UA	Comfort Pack Universal R454B 1.0 ton cooling, 25MBH gas input, 208-230/1/60, 95% AFUE/12.3 SEER2	6
		CP951232UA	Comfort Pack Universal R454B 1.0 ton cooling, 32MBH gas input, 208-230/1/60, 95% AFUE/12.3 SEER2	6
		CP951825UA	Comfort Pack Universal R454B 1.5 ton cooling, 25MBH gas input, 208-230/1/60, 95% AFUE/12.5 SEER2	6
		CP951832UA	Comfort Pack Universal R454B 1.5 ton cooling, 32MBH gas input, 208-230/1/60, 95% AFUE/12.5 SEER2	6
		CP951843UA	Comfort Pack Universal R454B 1.5 ton cooling, 43MBH gas input, 208-230/1/60, 95% AFUE/12.5 SEER2	6
		CP951850UA	Comfort Pack Universal R454B 1.5 ton cooling, 50MBH gas input, 208-230/1/60, 93% AFUE/12.5 SEER2	6
		CP952425UA	Comfort Pack Universal R454B 2.0 ton cooling, 25MBH gas input, 208-230/1/60, 95% AFUE/12.3 SEER2	6
		CP952432UA	Comfort Pack Universal R454B 2.0 ton cooling, 32MBH gas input, 208-230/1/60, 95% AFUE/12.3 SEER2	6
		CP952443UA	Comfort Pack Universal R454B 2.0 ton cooling, 43MBH gas input, 208-230/1/60, 95% AFUE/12.3 SEER2	6
		CP952450UA	Comfort Pack Universal R454B 2.0 ton cooling, 50MBH gas input, 208-230/1/60, 93% AFUE/12.3 SEER2	6



Project:

Options

Plan Designation	Quantity	Model	Description	Page
		CPWS	Comfort Pack Wall Sleeve	7
		CPSGX-P	Comfort Pack 95% Model Stamped Grille Painted - Universal (Attaches to Wall Sleeve Only)	8
		CPLGX-S	Comfort Pack 95% Model Architectural Louver Grille - Universal for Sleeve (Attaches to Wall Sleeve Only)	9
		CPLGX-SP	Comfort Pack 95% Model Architectural Louver Grille - Universal for Sleeve Painted (Attaches to Wall Sleeve Only)	9
		A	Standard	N/A
		B	Slotted Door	6
		C	Without Rear Grille	N/A
		D	Both B & C	N/A
		CPPH	Comfort Pack PH Neutralizer Kit	N/A
		14508008	LP Kit for 25K NG Furnace	N/A
		14508008	LP Kit for 43K NG Furnace (LP Input 35K)	N/A
		14508008	LP Kit for 50K NG Furnace	N/A



Project:

Performance Data

Up to 12.5 SEER2 – Up to 95% AFUE									
Model	Nominal Cooling Tons	Cooling Btu/h	Sensible Btu/h	SEER2	Charge R-454B (Oz.)	AFUE	Heater Input (Btu/h)	Heater Output (Btu/h)	Shipping Weight (lbs)
CP950925UA	0.75	8,900	6,500	11.7	26	95%	25,000	23,750	315
CP951225UA	1.0	11,800	8,500	12.3	26	95%	25,000	23,750	315
CP951232UA	1.0	11,800	8,500	12.3	26	95%	32,000	30,400	315
CP951825UA	1.5	17,600	12,900	12.5	38	95%	25,000	23,750	325
CP951832UA	1.5	17,600	12,900	12.5	38	95%	32,000	30,400	325
CP951843UA	1.5	17,600	12,900	12.5	38	95%	43,000	40,850	325
CP951850UA	1.5	17,600	12,900	12.5	38	93%	50,000	46,500	325
CP952425UA	2.0	22,400	15,600	12.3	36	95%	25,000	23,750	350
CP952432UA	2.0	22,400	15,600	12.3	36	95%	32,000	30,400	350
CP952443UA	2.0	22,400	15,600	12.3	36	95%	43,000	40,850	350
CP952450UA	2.0	22,400	15,600	12.3	36	93%	50,000	46,500	350

Electrical Data

Model	Voltage	Compressor		Condenser Motor			Blower		Total Amps	MCA	MOP
		RLA	LRA	HP	FLA	LRA	HP	FLA			
CP950925UA	208/230-1-60	3.5	21.8	1/4	2.0	--	1/3	2.6	8.1	9.0	15
CP951225UA	208/230-1-60	4.7	28.7	1/4	2.0	--	1/3	2.6	9.3	10.5	15
CP951232UA	208/230-1-60	4.7	28.7	1/4	2.0	--	1/3	2.6	9.3	10.5	15
CP951825UA	208/230-1-60	6.3	32.7	1/4	1.8	3.6	1/3	2.6	10.7	12.3	15
CP951832UA	208/230-1-60	6.3	32.7	1/4	1.8	3.6	1/3	2.6	10.7	12.3	15
CP951843UA	208/230-1-60	6.3	32.7	1/4	1.8	3.6	1/3	2.6	10.7	12.3	15
CP951850UA	208/230-1-60	6.3	32.7	1/4	1.8	3.6	1/3	2.6	10.7	12.3	15
CP952425UA	208/230-1-60	8.4	41.2	1/4	2.0	--	1/2	3.8	14.2	16.3	25
CP952432UA	208/230-1-60	8.4	41.2	1/4	2.0	--	1/2	3.8	14.2	16.3	25
CP952443UA	208/230-1-60	8.4	41.2	1/4	2.0	--	1/2	3.8	14.2	16.3	25
CP952450UA	208/230-1-60	8.4	41.2	1/4	2.0	--	1/2	3.8	14.2	16.3	25



Project:

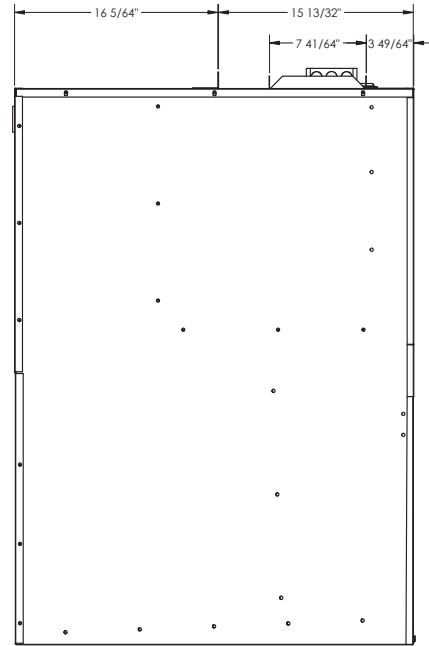
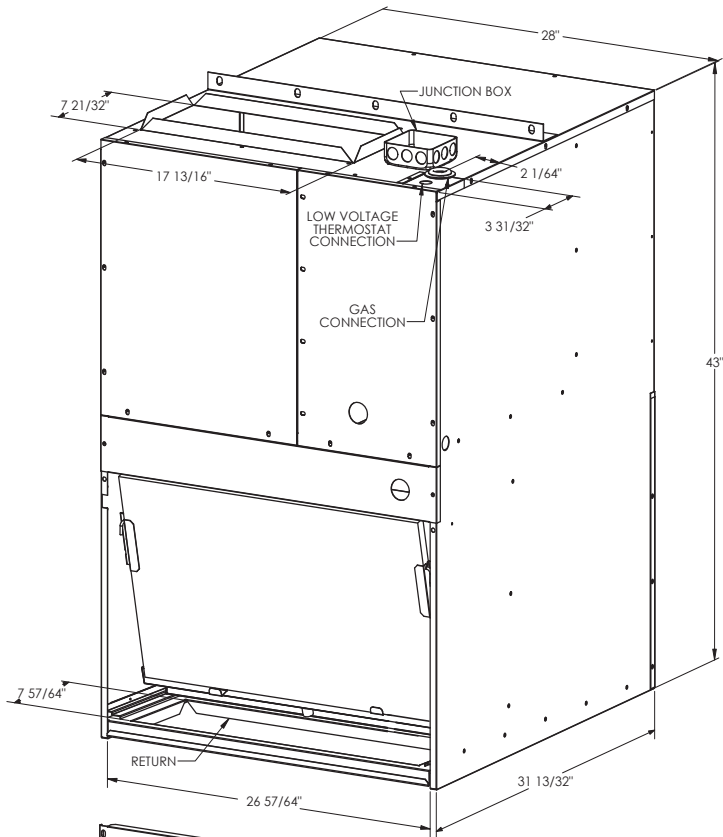
Air Flow Data

Models	Color	Speed Tap	ESP (in. wc) / CFM				
			0.1	0.2	0.3	0.4	0.5
CP9509**UA	Red	1	760	745	730	715	700
	Yellow	2	650	640	630	615	600
	Blue	3	560	535	520	510	500
	Black	4	440	425	410	390	370
	Orange	5	390	360	330	310	290
CP9512**UA	Red	1	760	745	730	715	700
	Yellow	2	650	640	630	615	600
	Blue	3	560	535	520	510	500
	Black	4	440	425	410	390	370
	Orange	5	390	360	330	310	290
CP9518**UA	Red	1	760	745	730	715	700
	Yellow	2	650	640	630	615	600
	Blue	3	560	535	520	510	500
	Black	4	440	425	410	390	370
	Orange	5	390	360	330	310	290
CP9524**UA	Red	1	870	850	830	810	790
	Yellow	2	760	745	730	715	690
	Blue	3	680	665	650	630	610
	Black	4	590	565	540	525	510
	Orange	5	440	425	410	400	390

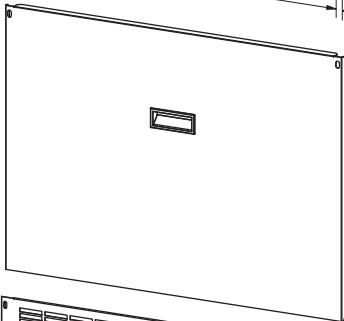


Project:

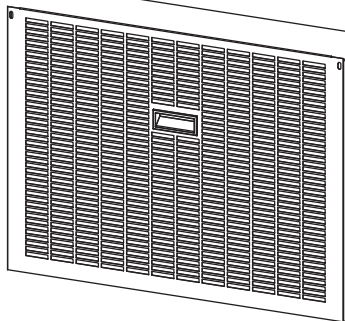
Comfort Pack Universal with up to 95% Gas Heat



Side view



Standard Filter Door



Option (B)
Slotted Filter Door
for Open Returns

NOTE: Unit must be mounted a minimum of 8 inches above finished floor.
See installation guide for vent termination clearances

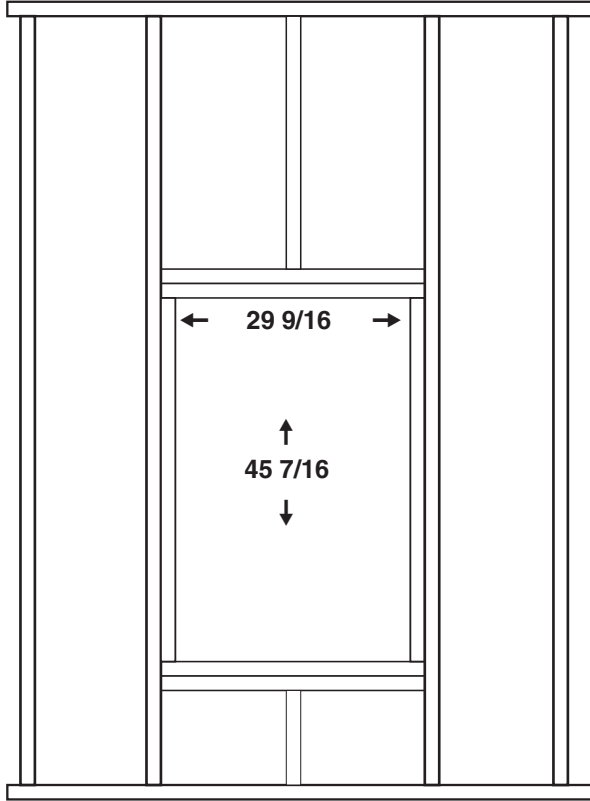


Project:

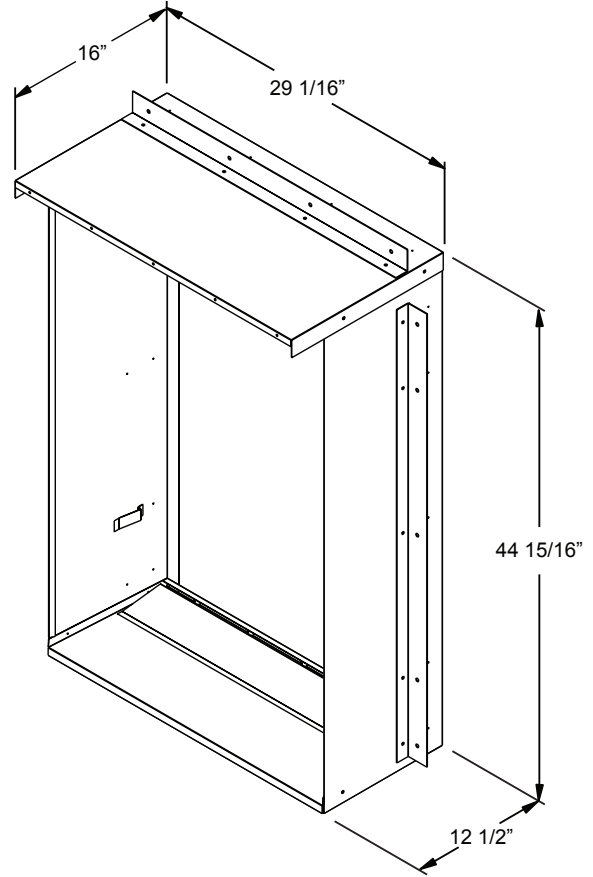
Wall Sleeve

CPWS

Rough In Dimensions



Actual Wall Sleeve Dimensions

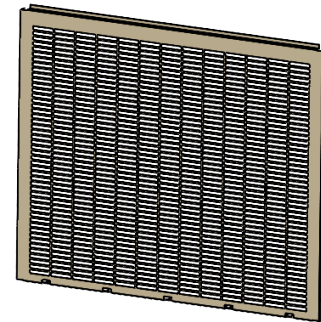
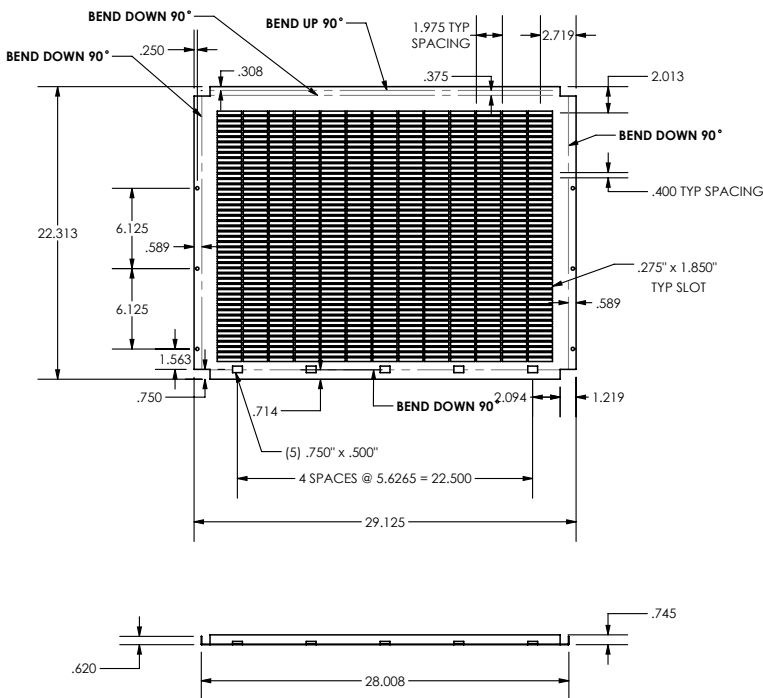
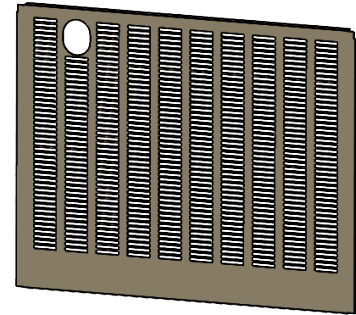
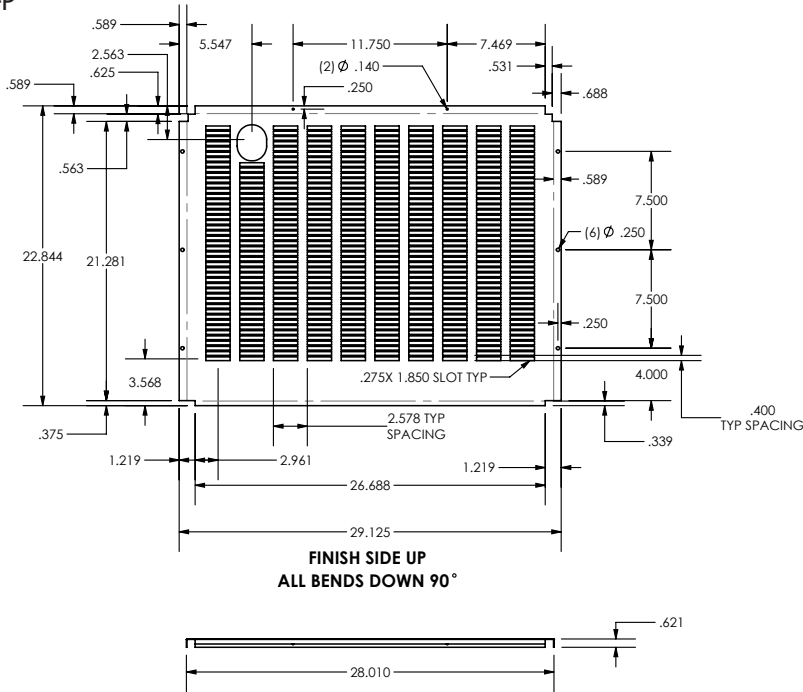




Project:

Powder Coated Standard Louver - Universal (Sleeve Mounted)

CPSGX-P



The CPSGX-P version is a powder coated galvanized metal. It mounts to the Wall Sleeve and is recommended to be installed during the installation of the CPWS. (See page 8)

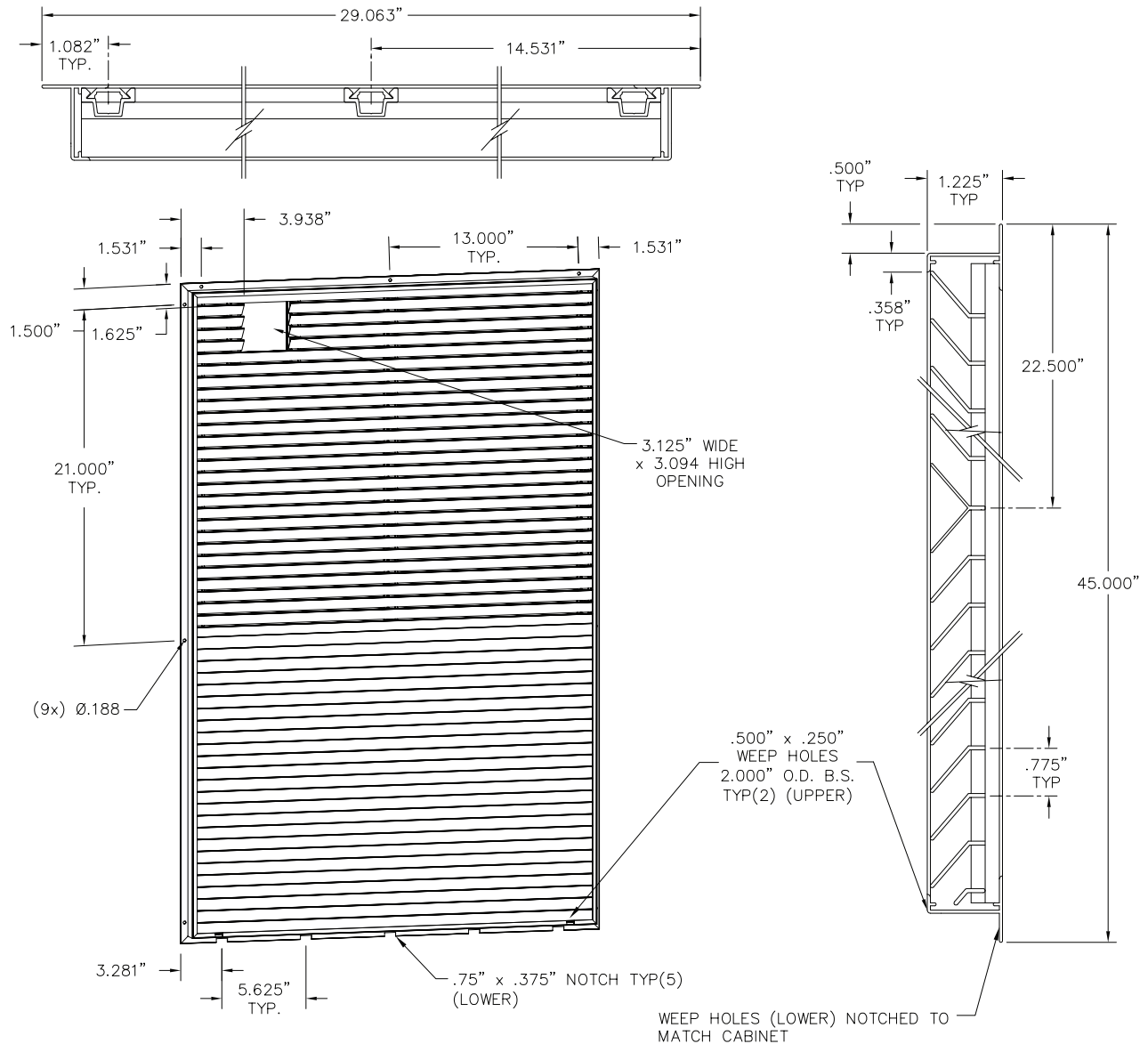


Project:

Architectural Louver - Universal (Sleeve Mounted)

CPLGX-S (anodized aluminum finish)

CPLGX-SP (painted finish)



The CPLGX-S & CPLGX-SP are Architectural Louvers available in anodized aluminum or a painted baked enamel finish. These Louvers are sleeve mounted and recommended to be installed during the installation of the CPWS. (See page 8)



National Comfort Products

A Division of National Refrigeration and Air Conditioning Products, Inc.

539 Dunksferry Road · Bensalem, PA 19020-5908

(800) 523-7138

www.nationalcomfortproducts.com

